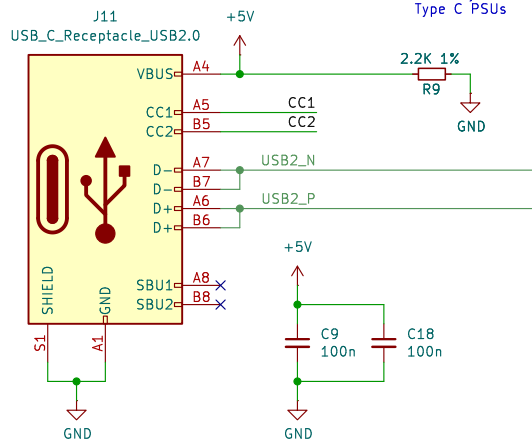
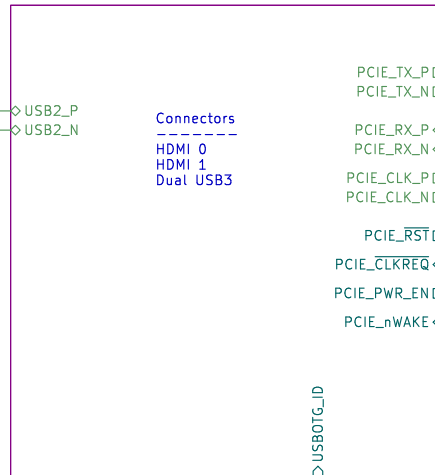


TypeC Power connector

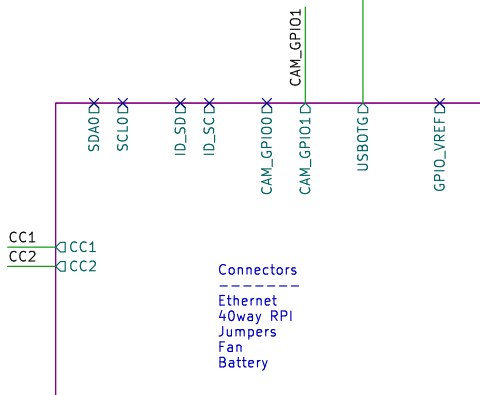
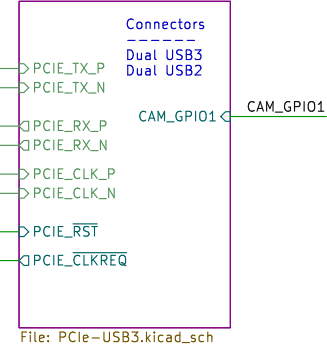


Needed because +5V is only externally supplied at the moment

CM5_HighSpeed



xHCI-USB3



CM5_GPIO (Ethernet, GPIO, SDCARD)

File: CM5_GPIO.kicad_sch

- H1 MountingHole
- H2 MountingHole
- H3 MountingHole
- H4 MountingHole
- H5 MountingHole
- H6 MountingHole
- H7 MountingHole
- H8 MountingHole

Designer: @joelsa
OnMCU GmbH

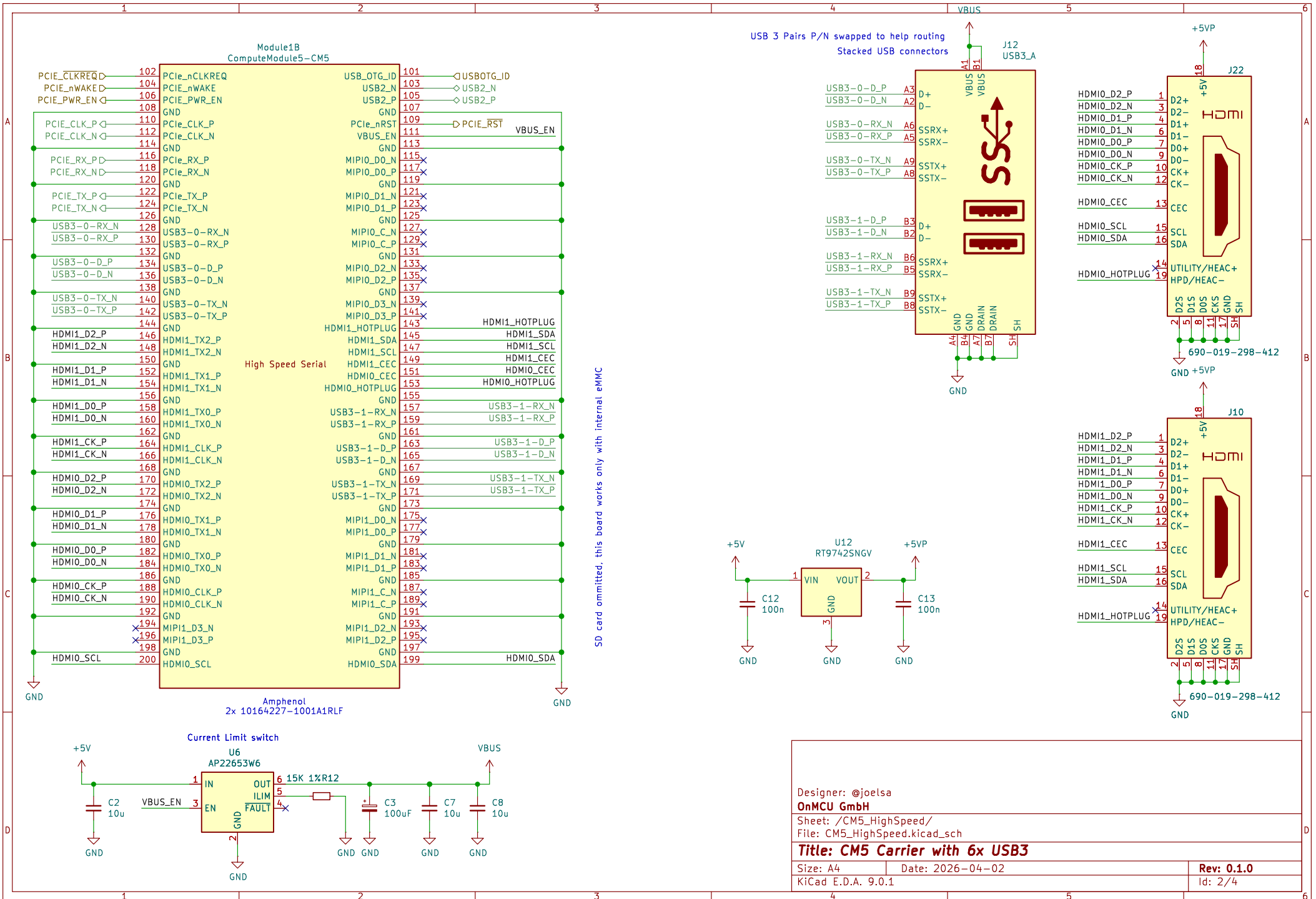
Sheet: /
File: CM510.kicad_sch

Title: CM5 Carrier with 6x USB3

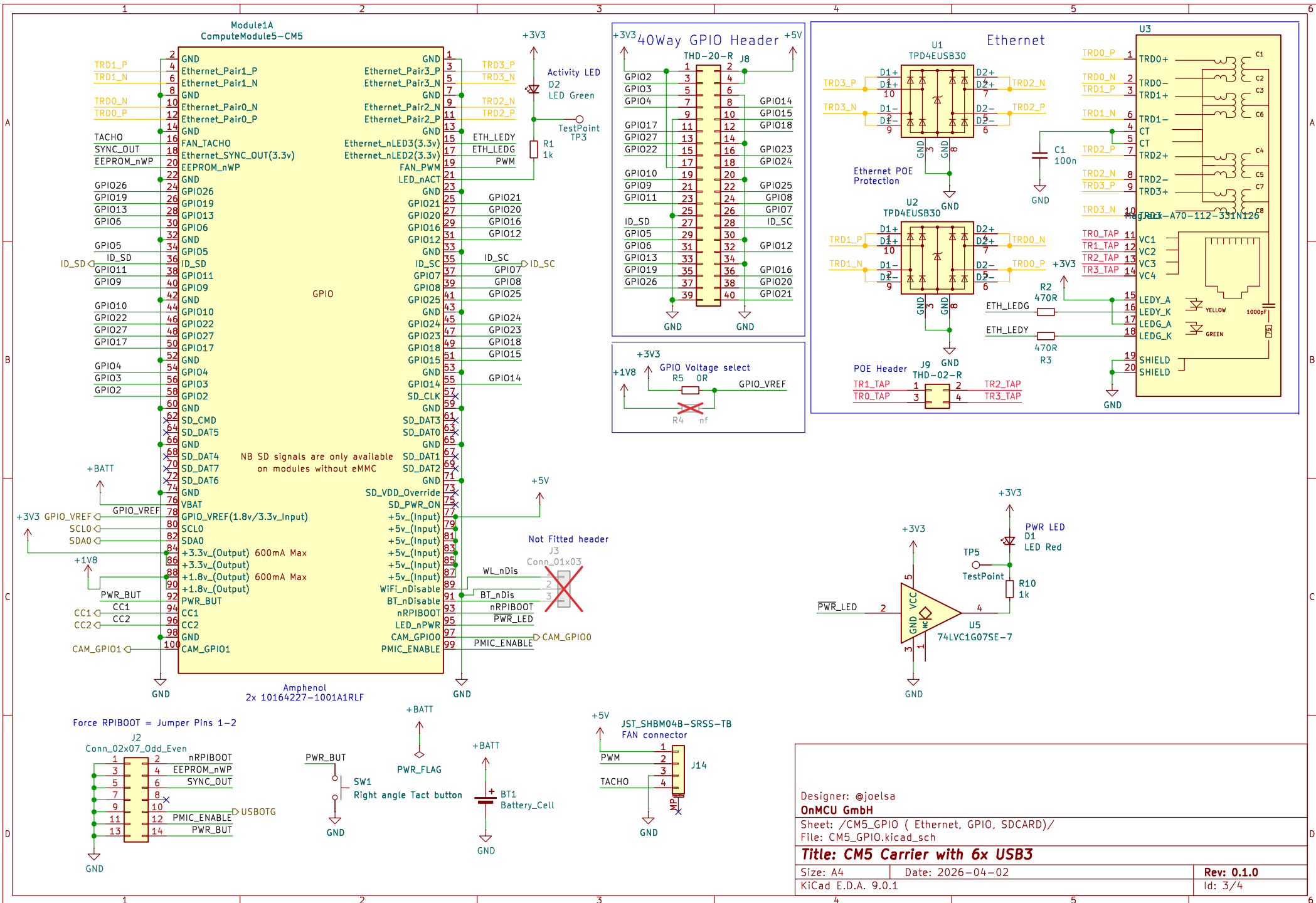
Size: A4 Date: 2026-04-02

KiCad E.D.A. 9.0.1

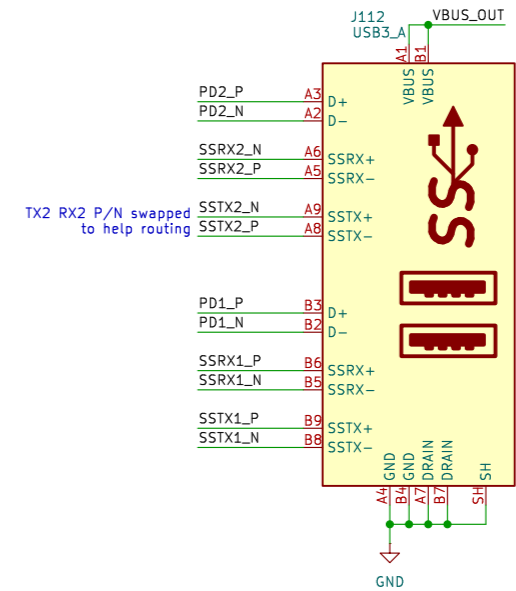
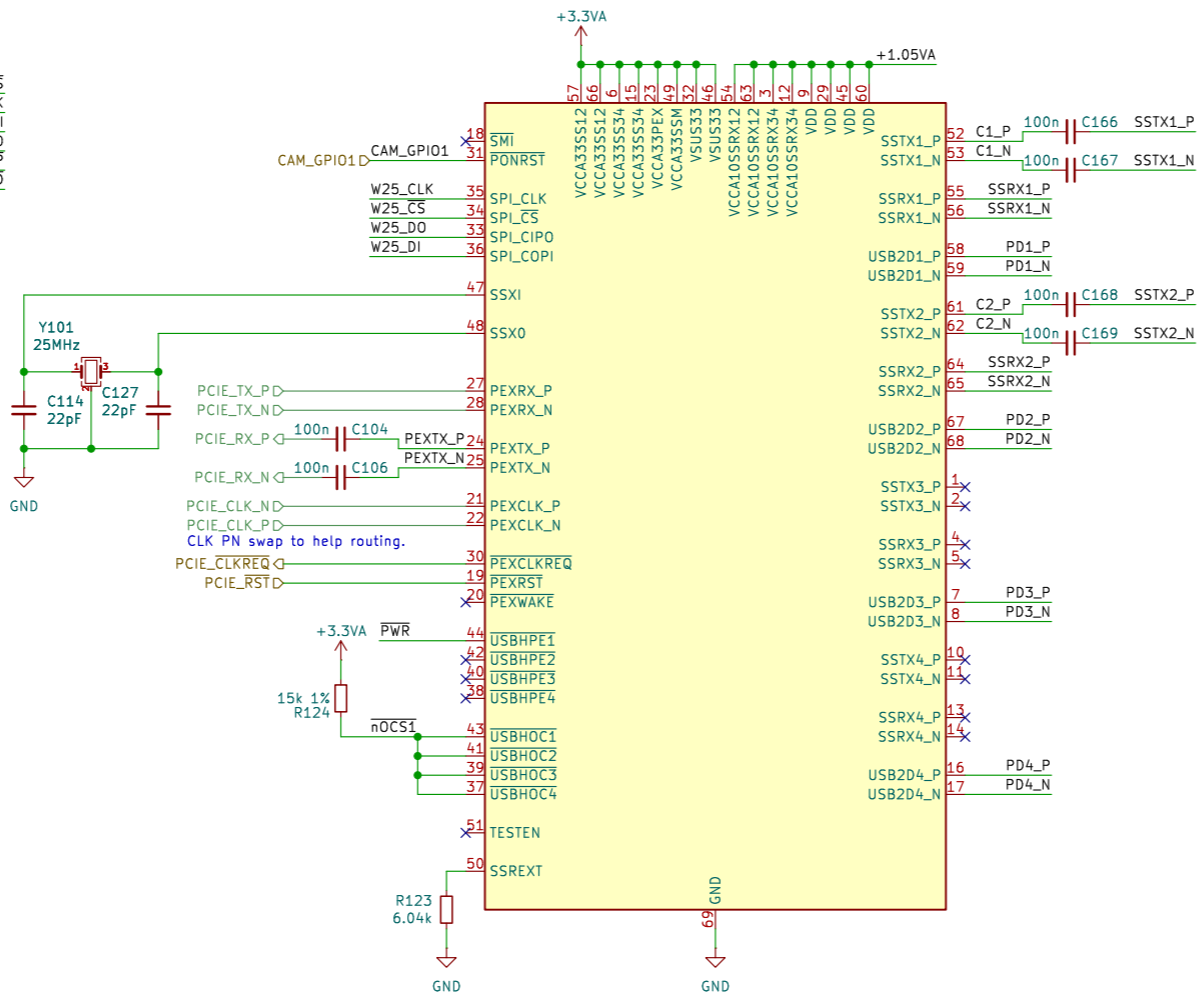
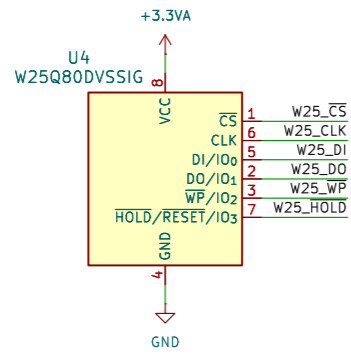
Rev: 0.1.0
Id: 1/4



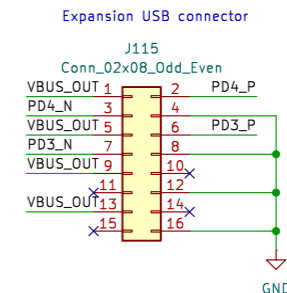
Designer: @joelsa	
OnMCU GmbH	
Sheet: /CM5_HighSpeed/	
File: CM5_HighSpeed.kicad_sch	
Title: CM5 Carrier with 6x USB3	
Size: A4	Date: 2026-04-02
KiCad E.D.A. 9.0.1	Rev: 0.1.0
	Id: 2/4



Designer: @joelsa	
OnMCU GmbH	
Sheet: /CM5_GPIO (Ethernet, GPIO, SDCARD)/	
File: CM5_GPIO.kicad_sch	
Title: CM5 Carrier with 6x USB3	
Size: A4	Date: 2026-04-02
KiCad E.D.A. 9.0.1	Rev: 0.1.0
	Id: 3/4

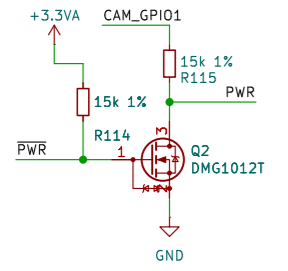


Stacked USB connectors

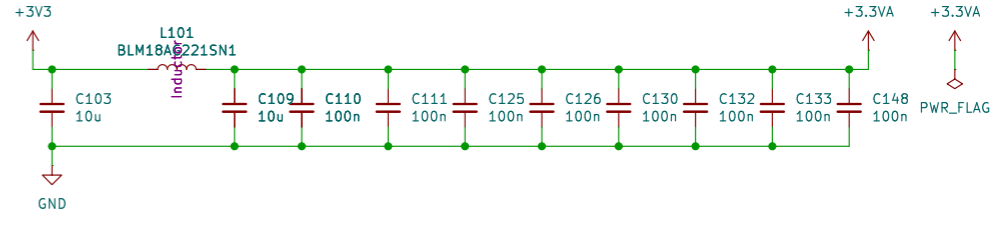
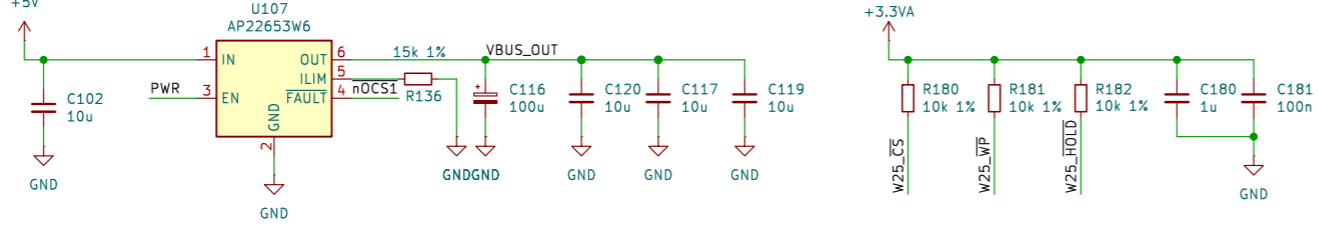


Expansion USB connector

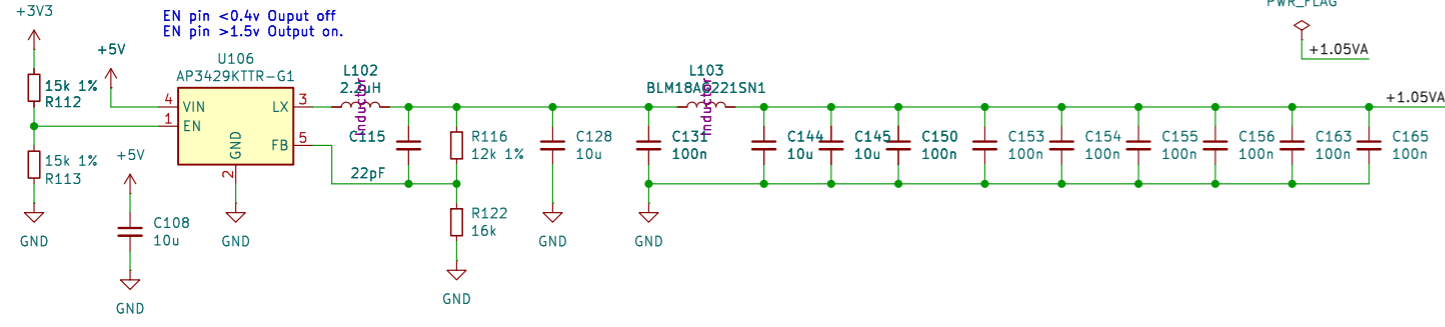
Make sure the power switch is disabled during power up



Current Limit switch



Potential divider sets 1.05v to start when 3.3v rail is somewhere between 0.8v and 3v



Designer: @joelsa		
OnMCU GmbH		
Sheet: /xHCI-USB3/		
File: PCIe-USB3.kicad_sch		
Title: CM5 Carrier with 6x USB3		
Size: A3	Date: 2026-04-02	Rev: 0.1.0
KiCad E.D.A. 9.0.1		Id: 5/4